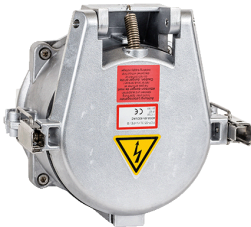


## Panel mounted socket

Part no. 75042

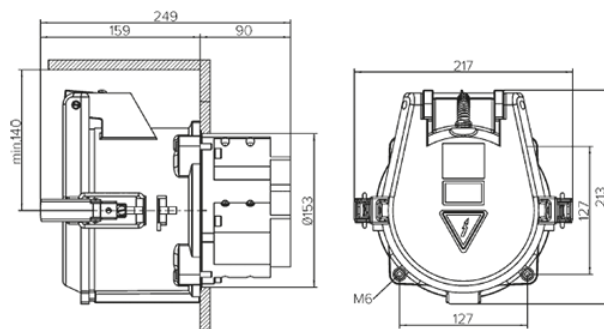


- MetallLine
- aluminum enclosure
- Screw terminals
- seawater resistant products are available on request

## Technical specifications

Ampere	250 A
Poles	4 p
Voltage	500 V
Clock position	7 h
Hertz	60-50 Hz
Connection technology	Screw terminals
Contact	standard
Protection type	IP64
Weight	9540 g

## Drawing



Drawing  
1 MB 388

Dim. in mm