

# Wall mounted receptacle DUO

Part Number.: 5601501G



## MENNEKES

Elektrotechnik GmbH & Co. KG  
Aloys-Mennekes-Straße 1  
57399 KIRCHHUNDEM GERMANY  
[www.MENNEKES.org](http://www.MENNEKES.org)

# Product Description

- Screw terminals
- Pre-wired for installation
- X-CONTACT
- Switched
- Mechanical DUO interlock
- 3 pole switch
- receptacles can be padlocked

# Technical Details

Wall mounted receptacle - DUO	5601501G
Product series	DUO
Switch Disconnecter	Yes
Ampere	16A
Number of Poles	5p P
Clock position	1h h
Voltage	50-500V
Hertz	-
Current Type	AC
Switch Type	3P + N + PE
Protection Type	IP44
Impact resistance	IK08
Contact carrier	Standard
Pilot contact	Without pilot contact
Connection	Screw-terminals
LED voltage indicator	No

Padlocked	Yes
Mounting method	Wall mounted
Cable entry	Top & Bottom 2 x M25 top or bottom closed 1 x M25 and 1 x M32 top or bottom closed
Weight (net)	1238 g
EAN / identification number	4015394298687

### Permissible ambient conditions

Permanent ambient temperature min. - max.	from -25°C to +40°C °C
---	------------------------

### Material properties

Hinged lid	PC similar RAL 7035 light grey
Upper enclosure part	PC/ASA similar RAL 7035 light grey
Enclosure base	PC/ASA similar RAL 9005 black
Rotary Switch	PC/ASA similar RAL 7035 light grey
Material of exterior screws	PA6 similar RAL 9005 black

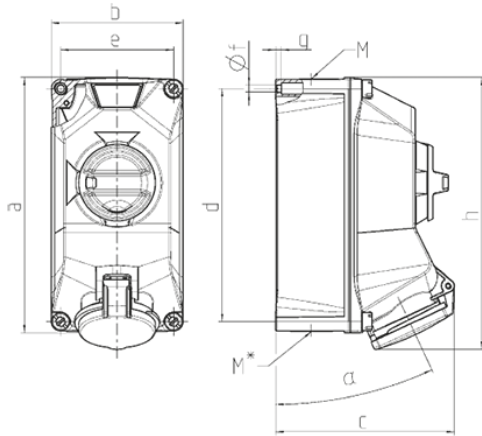
### Material resistance

The material resistance overview can be found on the website in the "Knowledge" section → "Product knowledge" → "Materials"

### Regulations and Standards

RoHS 2011/65/EU incl. 2015/863/EU	✓
POP Regulation (EU) 2019/1021	✓
Norm(s)	IEC 60309-4
Declaration of conformity	CE
Test mark	-

# Dimensional drawing



Drawing 1 MB 713 Dim. in mm	Amp. Poles	16			32		
		3	4	5	3	4	5
a		225	225	225	225	225	225
b		118	118	118	118	118	118
c		160	160	160	162	162	162
d		208	208	208	208	208	208
e		101	101	101	101	101	101
f		6.4	6.4	6.4	6.4	6.4	6.4
g		5	5	5	5	5	5
h		238	244	243	249	249	250
α			25			25	
M		1x25 and 1x32			1x25 and 1x32		
M*		2x25	2x25	2x25	2x25	2x25	2x25
Max. cable diam. (mm)		25	25	25	25	25	25
Terminal for cond. cross section (mm <sup>2</sup> ) min.-max.		2.5	2.5	2.5	2.5	2.5	2.5
		-10	-10	-10	-10	-10	-10