

# Connector AM-TOP

Part number: 541



**MENNEKES**  
Elektrotechnik GmbH & Co. KG

Aloys-Mennekes-Straße 1  
57399 Kirchhundem  
GERMANY

[www.MENNEKES.org](http://www.MENNEKES.org)

## Product Description

- screw connection technology
- single part body
- protection against kinking
- strain relief
- cable gland and sealing

## Technical Details

Connector AM-TOP	541
Product serie	AM-TOP
Ampere	16A
Number of poles	3p
Clock position	9h
Nominal voltage AC	400V
Nominal frequency	50 - 60 Hz
Protection type IP	IP67
Contact carrier	standard
X-CONTACT	no
Connection	screw terminals
Contact screw drive	PZ2, slot
Tightening torque connection terminal for cable cross-section 1,0 - 1,5 mm <sup>2</sup>	0.6 Nm
Tightening torque connection terminal for cable cross-section 2,5 - 4,0 mm <sup>2</sup>	0.8 Nm
Recommended wire end treatment for supply cable connection terminal	ferrule square gasproof crimped
Strip length jacket	40 mm
Strip length conductor PH + N	8 - 10 mm
Strip length conductor PE	12 - 17 mm
Pilot contact	without pilot contact
Conductor cross-section min.	1 mm <sup>2</sup>
Conductor cross-section max.	2.5 mm <sup>2</sup>
Cable kink protection	integrated in cable gland

<b>Connector AM-TOP</b>	<b>541</b>
Protective grommet	without protective grommet
Weight (net)	191 g
Packaging unit	10 pcs
Quantity per pallet	1520 pcs
EAN / identification number	4015394003960

<b>Permissible ambient conditions</b>		
	<b>Min.</b>	<b>Max.</b>
Permanent ambient temperature	-25 °C	40 °C

<b>Material properties</b>	
Housing	PA6 red [similar RAL 3013]
Hinged lid	PA6 red [similar RAL 3013]
	TPE black [similar RAL 9005]
	PBT/PC squirrel grey [similar RAL 7000]
Clamp basket	PA6 natural colour [no RAL colour code]
	TPE squirrel grey [similar RAL 7000]
Fastening	PA6 squirrel grey [similar RAL 7000]

**Material resistance**

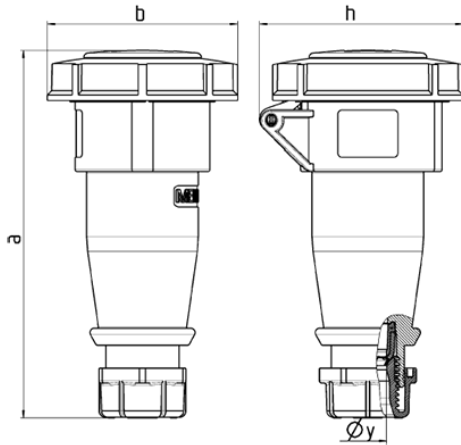
The material resistance overview can be found on the website in the section “Knowledge” - “Product knowledge” - “Materials”.

<b>Material and enviromental properties</b>	
RoHS 2011/65/EU incl. 2015/863/EU	✓
POP regulation (EU) 2019/1021	✓

Regulations and Standards

Norm	DIN EN IEC 60309-2
Declaration of Conformity	CE
Test label	EAC, CQC

# Dimensional Drawing



Drawing 3 MB 62	Amp. Poles	16			32		
		3	4	5	3	4	5
Dim. in mm	a	146	166	172	212	212	213
	b	72	79	89	96	96	102
	h	80	88	95	98	98	105
	y	14.5	16	16	22	22	22
Terminal for cond. cross		1	1	1	2.5	2.5	2.5
section (mm <sup>2</sup> ) min.-max.		-2.5	-2.5	-2.5	-6	-6	-6