

Panel mounted socket with TwinCONTACT

Part no. 1682

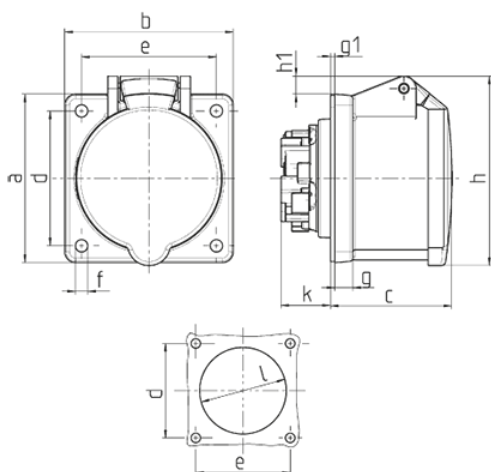


- screwless spring terminals
- suitable for through wiring
- straight
- blanking flange to close unused apertures part no. 41419

Technical specifications

Ampere	16 A
Poles	5 p
Voltage	50-500 V
Clock position	2 h
Hertz	300-500 Hz
Connection technology	Screwless - TwinCONTACT
Contact	standard
Protection type	IP44
Flange	75x75 mm
Fixing hole	60x60 mm
Weight	160 g

Drawing



Drawing	Amp.	16			32		
		3	4	5	3	4	5
1 MB 464	Poles						
Dim. in mm	a	75	75	75	75	75	75
	b	75	75	75	75	75	75
	c	53	53	54	64	64	64
	d	60	60	60	60	60	60
	e	60	60	60	60	60	60
	f	5.5	5.5	5.5	5.5	5.5	5.5
	g.	8	8	8	8	8	8
	g.1	2	2	2	2	2	2
	h	75	80	85	89	89	95
	h1		5	8	10	10	12
	k	22	22	22	28	28	28
	l	43	52	57	60	60	64
	Terminal for cond. cross section (mm²) min.-max.	1.5	1.5	1.5	2.5	2.5	2.5
		-4	-4	-4	-6	-6	-6