

Panel mounted socket with TwinCONTACT

Part no. 1677

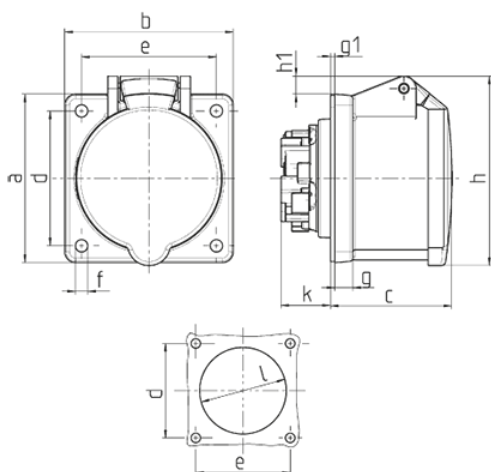


- screwless spring terminals
- suitable for through wiring
- straight
- blanking flange to close unused apertures part no. 41419

Technical specifications

Ampere	16 A
Poles	4 p
Voltage	50-500 V
Clock position	2 h
Hertz	300-500 Hz
Connection technology	Screwless - TwinCONTACT
Contact	standard
Protection type	IP44
Flange	75x75 mm
Fixing hole	60x60 mm
Weight	120 g

Drawing



Drawing	Amp.	16			32		
		Poles			3	4	5
1 MB 464							
Dim. in mm							
a		75	75	75	75	75	75
b		75	75	75	75	75	75
c		53	53	54	64	64	64
d		60	60	60	60	60	60
e		60	60	60	60	60	60
f		5.5	5.5	5.5	5.5	5.5	5.5
g.		8	8	8	8	8	8
g.1		2	2	2	2	2	2
h		75	80	85	89	89	95
h1			5	8	10	10	12
k		22	22	22	28	28	28
l		43	52	57	60	60	64
Terminal for cond. cross section (mm ²) min.-max.		1.5	1.5	1.5	2.5	2.5	2.5
		-4	-4	-4	-6	-6	-6